

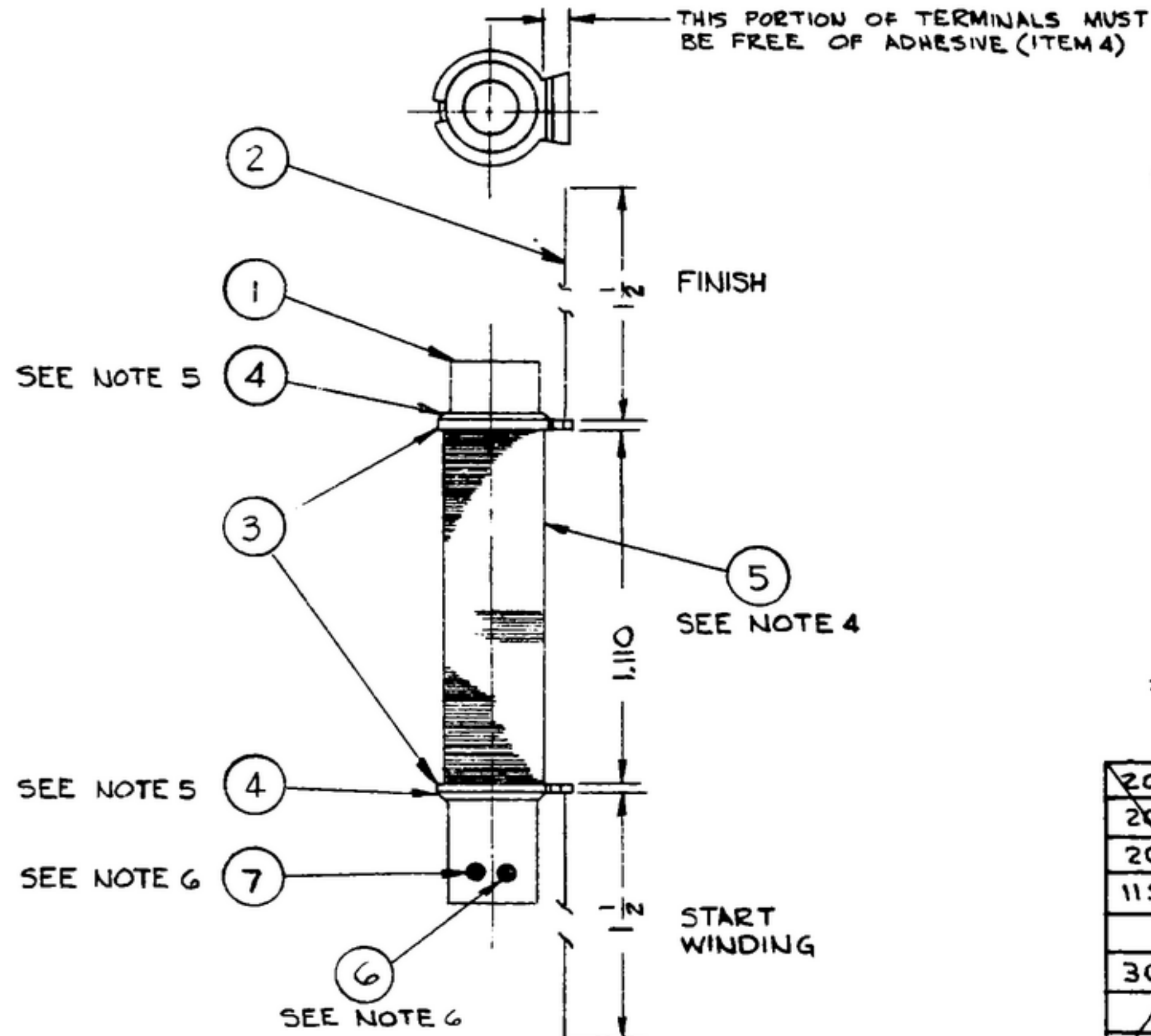
NOTICE: THESE GOVERNMENT SPECIFICATIONS, SPECIFICATIONS, OR OTHER DATA ARE USED FOR ANY PURPOSE OTHER THAN IN CONNECTION WITH A SPECIFICALLY RELATED GOVERNMENT PROCUREMENT OPERATION, THE UNITED STATES GOVERNMENT TAKES NO RESPONSIBILITY FOR ANY DELAY OR INTERRUPTION WHATSOEVER AND THE FACT THAT THE GOVERNMENT MAY HAVE FORMULATED, PUBLISHED, OR IN ANY WAY SUPPLIED THE SAID SPECIFICATIONS, SPECIFICATIONS, OR OTHER DATA IS NOT TO BE CONSIDERED BY IMPLICATION OR OTHERWISE AS IN ANY MANNER LACERATING THE RIGHTS OF ANY OTHER PERSON OR CORPORATION, OR CONFERRING ANY RIGHTS OR PRIVILEGES TO MANUFACTURE, USE, OR SELL ANY PATENTED INVENTION THAT MAY IN ANY WAY BE RELATED HERETO.

"THIS DOCUMENT HAS BEEN PREPARED BY THE GOVERNMENT AND MAY BE REPRODUCED AND USED IN CONNECTION WITH ANY GOVERNMENT PROCUREMENT OR MAINTENANCE OPERATION."

NOTE:

\*FOR INFORMATION ONLY. CONTRACTOR MAY AT HIS OPTION DEVIATE FROM THESE PROCESS DETAILS

SWE APPROVAL		REVISIONS			
SY	PR	SYM	DESCRIPTION	DATE	APPROVAL
5	100	A	A.-REVISED & REDRAWN.	16 DEC 59	42428-PC-59-A1 REV PHE



NOTES:

- COIL TO BE WOUND TO MEET ELECTRICAL REQUIREMENTS SPECIFIED ON SM-D-249089.
- TYPICAL WINDING DATAS:  
NO. OF TURNS: 44  
TYPE OF WIND: SINGLE LAYER VARIABLE PITCH
- WIRE: SINGLE STRAND OF NO. 32 AWG WIRE WITH HEAVY POLYURETHANE FILM INSULATION. DRAWN & ANNEALED COPPER. AS SUPPLIED BY BELOEN MFG. CO., CHICAGO, ILL. OR EQUAL.
- THE COIL WINDING SHALL BE SUFFICIENTLY COATED TO FIRMLY ANCHOR ALL WIRES. COATING MATERIAL (ITEM 5) TRANSPARENT TO "Q" MAX. #A27 TO BE SUPPLIED BY COMMUNICATIONS PRODUCTS CO. INC., HARBOR, N.J. OR EQUAL.
- CEMENT TERMINAL (ITEM 3) TO COIL FORM (ITEM 1) BY APPLYING THE BONDING AGENT #R313 (ITEM 4) ONLY ON THE COIL FORM AS SHOWN. BONDING AGENT #R313 AS SUPPLIED BY CARL H. BIGGS CO., LOS ANGELES, CALIF. OR EQUAL.
- FOR IDENTIFICATION USE, COLOR CODING LACQUERS (ITEM 6 & 7). AS SUPPLIED BY CAPITAL CHEMICAL CO., CHICAGO, ILL. OR EQUAL. APPLY BLACK & YELLOW COLOR (1/8 DIA.) ONTO COIL FORM LOCATED AS SHOWN.
- \* S.W.E. WINDING PROCEDURE FOR 4-8 MC ANT. COIL SPECIFIED ON 12P205230.

<del>205111266-5</del>	<del>7</del>	<del>AS REQ'D</del>	<del>_____</del>	<del>LACQUER, COLOR CODING, YELLOW</del>	<del>TT-L-31</del>	<del>6</del>	
<del>205111266-1</del>	<del>6</del>	<del>AS REQ'D</del>	<del>_____</del>	<del>LACQUER, COLOR CODING, BLACK</del>	<del>TT-L-31</del>	<del>6</del>	
<del>205110664-5</del>	<del>5</del>	<del>AS REQ'D</del>	<del>_____</del>	<del>LACQUER</del>		<del>4</del>	
<del>115130318-7</del>	<del>4</del>	<del>AS REQ'D</del>	<del>_____</del>	<del>ADHESIVE</del>		<del>5</del>	
	3	2	SM-B-85398	TERMINAL		5	
	2	1	SM-B-283284-1	WIRE, MAGNET (45 IN TYP.)	MIL-W-583	3	
	1	1	SM-B-249171-1	FORM, COIL			
* SWE PART NO.	ITEM	REQD	PART NO.	DESCRIPTION	MATL	MATL SPEC	NOTES

LIST OF MATERIAL

				UNLESS OTHERWISE SPECIFIED	COLLINS RADIO CO		DEPARTMENT OF THE ARMY SIGNAL CORPS ENGINEERING LABORATORIES  FORT MONMOUTH NEW JERSEY
				DIMENSIONS ARE IN INCHES	CEDAR RAPIDS, IOWA		
				TOLERANCES ON FRACTIONS DECIMALS ANGLES	14214-PH-51-93		
				± 1/64 ± .005 ±	SIGNAL CORPS		
				DRAWN BY L BRIGGS	REVIEWED PHE		SM-B-283284
				CHECKED BY BS	APPROVED HLY PHE		
				CHIEF DRAFTS	DATE 11 MAR 58		
NEXT ASSY	USED ON	NEXT ASSY	USED ON	ENG APPROVAL	SCALE 2/1		
* SWE APPLICATION				APPLICATION			